

Main Features

- Directly integrated in the pipe
- Excellent cleaning behaviour
- Wetted parts 1.4435 / 1.4404 (316L)
- Compatible to SIP and CIP processes
- Easy and fast installation

Applications

- Food & Beverage
- Laboratory & Medical

Description

This in-line diaphragm seals are used to design hygienic process connections for pressure gauges and protect the pressure gauges from high temperatures and aggressive process fluids.

In-line diaphragm seals with hygienic process connections ensure efficient cleaning processes and avoid pollutions and developing of bacterias in hygienic production processes.

Diaphragm seals can be mounted to mechanical pressure gauges, switches or transmitters directly or with a flexible capillary. The filling fluid of the measuring system has to be chosen compatible to the application. For hygienic applications a choice of FDA conform filling fluids is available.

Process connection	Clamp ISO 2852
Pressure ranges	0 ... 1 bar to 0 ... 40 bar (see table below)
Body material	Stainless Steel 1.4435 (AISI 316L)
Diaphragm	Stainless Steel 1.4435 or 1.4404 (AISI 316L)
Surface roughness	Wetted parts $Ra \leq 0.8 \mu m$ Option 1359: electropolished, $Ra \leq 0.5 \mu m$ (except welding)
Working temperature	-20 ... 225 °C (depending on the filling fluid)
Filling fluids	LRS1: Vaseline (-15 ... +150 °C, FDA conform) LRS10: Vaseline (-20 ... +225 °C, FDA conform) Other filling fluids on request
Gaskets	Not included

Ordering code / Minimum pressure ranges

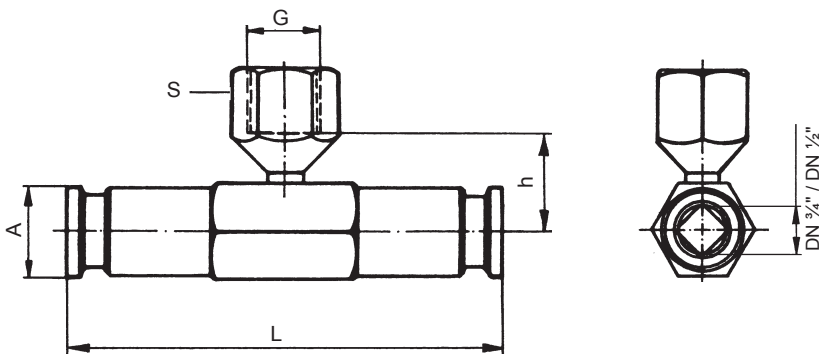
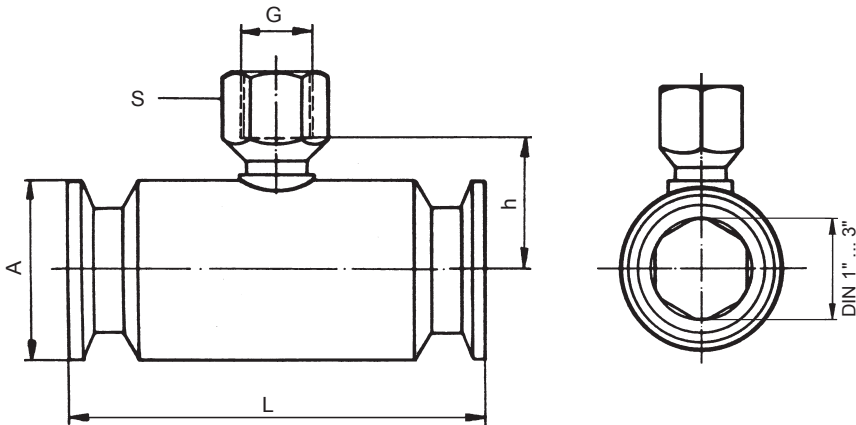
Code	DN	Pressure gauges ⁽¹⁾		Transmitters ⁽²⁾	P max. ⁽³⁾
		NS 50-63 mm	NS 100-150-160 mm		
1627	½"	0 ... 6 bar	0 ... 25 bar	0 ... 1 bar	60 bar
1621	¾"	0 ... 1.6 bar	0 ... 2.5 bar	0 ... 1 bar	60 bar
1622	1"	0 ... 1.6 bar	0 ... 1.6 bar	0 ... 1 bar	60 bar
1623	1 ½"	0 ... 1.6 bar	0 ... 1.6 bar	0 ... 1 bar	40 bar
1624	2"	0 ... 1.6 bar	0 ... 1.6 bar	0 ... 1 bar	40 bar
1625	2 ½"	0 ... 1.6 bar	0 ... 1.6 bar	0 ... 1 bar	40 bar
1626	3"	0 ... 1.6 bar	0 ... 1.6 bar	0 ... 1 bar	40 bar

⁽¹⁾ and corresponding compound pressure ranges

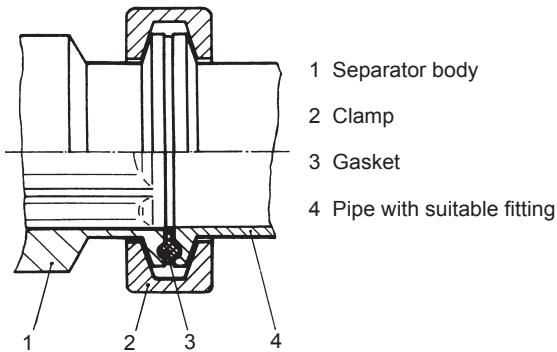
⁽²⁾ lower pressure ranges on request

⁽³⁾ depending on the used fixing elements (not part of the delivery).

Dimensions



Connection example



Dimension chart

DN	Pipe-inside Ø	A	L	h	G	S	Weight kg	Inner shape
1/2"	10.1	25	140	27	G 1/2	27	0.5	4-sided
3/4"	15.9	25	120	24	G 1/4	17	0.5	4-sided
3/4"	15.9	25	120	27	G 1/2	27	0.5	4-sided
1"	22.6	50.5	120	36	G 1/2	27	1.6	4-sided
1 1/2"	35.0	50.5	120	36	G 1/2	27	1.2	6-sided
2"	47.7	64	100	45	G 1/2	27	1.3	6-sided
2 1/2"	60.5	77.5	100	52	G 1/2	27	1.6	8-sided
3"	73.5	91	100	58	G 1/2	27	2.0	8-sided

Ordering example

MEX 5 - D 3 0 . B22 / 1622 - 1359 - LRS1

In-line diaphragm seal, Clamp, DN 1"

Option: Electropolished, Ra ≤ 0.5 µm (except welding)

Filling fluid LRS1: Vaseline (-15 ... +150 °C, FDA conform)