



Product highlight

- For corrosive gasses and liquids
- Class 1 according to EN 837-1
- Wetted parts: Stainless steel
- Lloyds Register Approval
- Safety version S3 according to EN 837-1
- Option: Case material 1.4404 (316L) for aggressive atmosphere



Technical data

Housing

Protection rating (EN 60529)	■ IP52
Dial	■ White, aluminium
Pointer	■ Black, aluminium
Safety according to EN 837-1	■ S3 ■ Safety pattern gauge with baffle wall and elastomer blow-out back
Window material	■ Laminated safety glass
Window gasket	■ Elastomer
Movement material	■ Stainless steel
Nominal size	■ 150 mm
Case material	■ Stainless steel 1.4301 / AISI 304 ■ Stainless steel 1.4404 / AISI 316L, optional
Bezel ring material	■ Stainless steel 1.4301 / AISI 304 ■ Stainless steel 1.4404 / AISI 316L, optional

Temperature

Ambient temperature	■ -20°C ... +70°C
Storage temperature	■ -40°C ... +70°C
Media temperature	■ -40°C ... +200°C

Wetted parts

Process connection	■ G1/4" ■ G1/2" ■ 1/4" NPT ■ 1/2" NPT
--------------------	--

Process connection material	■ Stainless steel 1.4404 / AISI 316L
-----------------------------	--------------------------------------

Bourdon tube	■ Stainless steel 1.4404 / AISI 316L
--------------	--------------------------------------

Performance

Pressure limitation ≤ 600 bar	■ Steady: 100 % of full scale value ■ Fluctuating: 90 % of full scale value ■ Short time: 130 % of full scale value
-------------------------------	---

Pressure limitation > 600 bar	■ Steady: 75 % of full scale value ■ Fluctuating: 65 % of full scale value ■ Short time: 100 % of full scale value
-------------------------------	--

Accuracy according to EN 837-1	■ Class 1
--------------------------------	-----------

Temperature coefficient	■ ± 0.4 % FS/10K
-------------------------	------------------

Type of pressure	■ Relative
------------------	------------

Min. measuring range	■ -1 ... 0 bar
----------------------	----------------

Max. measuring range	■ 0 ... 1600 bar
----------------------	------------------

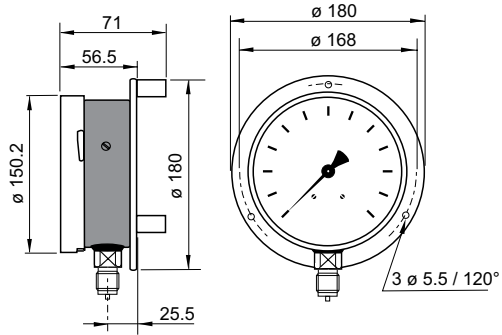
Weight

Gauge	■ 880 g
-------	---------

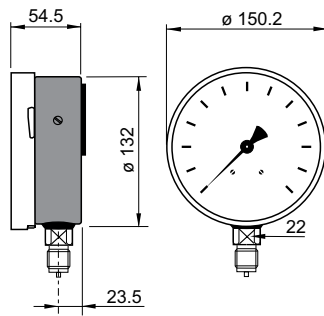
Approval / Conformities

ATEX	■ Ex II 2 GDc-IM2c ■ Further information can be found in the ATEX approval
------	---

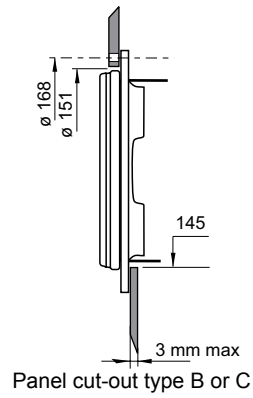
Technical drawings



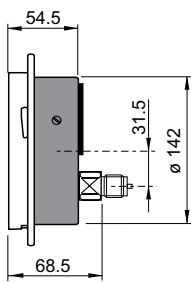
Type A (11)*



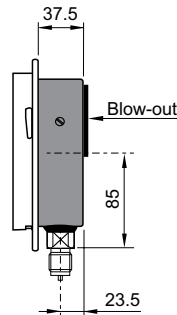
Type D (10)*



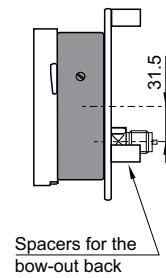
Panel cut-out type B or C



Type B (32)*

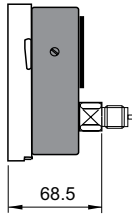


Type C (12)*



Type E (31)*

Technical drawings



Type F (30)*

Pressure Ranges

Code	Bar	Code	kPa	Code	kg/cm ²	Code	psi
B59	-1 ... 0	D59	-100 ... 0	F59	-1 ... 0	H59	-30" Hg ... 0
B72	-1 ... 0.6	D72	-100 ... 60	F72	-1 ... 0.6	H73	-30" Hg ... 15
B74	-1 ... 1.5	D74	-100 ... 150	F74	-1 ... 1.5	H75	-30" Hg ... 30
B76	-1 ... 3	D76	-100 ... 300	F76	-1 ... 3	H2C	-30" Hg ... 60
B77	-1 ... 5	D77	-100 ... 500	F77	-1 ... 5	H78	-30" Hg ... 100
B79	-1 ... 9	D79	-100 ... 900	F79	-1 ... 9	H79	-30" Hg ... 150
B81	-1 ... 15	D81	-100 ... 1 500	F81	-1 ... 15	H81	-30" Hg ... 220
B82	-1 ... 24	D82	-100 ... 2 400	F82	-1 ... 24	H82	-30" Hg ... 300
B12	0 ... 0.6	D12	0 ... 60	F12	0 ... 0.6	H13	0 ... 10
B15	0 ... 1	D15	0 ... 100	F15	0 ... 1	H15	0 ... 15
B16	0 ... 1.6	D16	0 ... 160	F16	0 ... 1.6	H1C	0 ... 20
B18	0 ... 2.5	D18	0 ... 250	F18	0 ... 2.5	H17	0 ... 30
B19	0 ... 4	D19	0 ... 400	F19	0 ... 4	H19	0 ... 60
B20	0 ... 6	D20	0 ... 600	F20	0 ... 6	H21	0 ... 100
B22	0 ... 10	D22	0 ... 1 000	F22	0 ... 10	H22	0 ... 160
B24	0 ... 16	D24	0 ... 1 600	F24	0 ... 16	H23	0 ... 200
B26	0 ... 25	D26	0 ... 2 500	F26	0 ... 25	H25	0 ... 300
B27	0 ... 40	D27	0 ... 4 000	F27	0 ... 40	H26	0 ... 400
B29	0 ... 60	D29	0 ... 6 000	F29	0 ... 60	H27	0 ... 600
B31	0 ... 100	D31	0 ... 10 000	F31	0 ... 100	H30	0 ... 1 000
B33	0 ... 160	D33	0 ... 16 000	F33	0 ... 160	H31	0 ... 1 500
B35	0 ... 250	D35	0 ... 25 000	F35	0 ... 250	H34	0 ... 3 000
B38	0 ... 400	D38	0 ... 40 000	F38	0 ... 400	H38	0 ... 6 000
B39	0 ... 600	D39	0 ... 60 000	F39	0 ... 600	H40	0 ... 10 000
B41	0 ... 1 000	D41	0 ... 100 000	F41	0 ... 1 000	H41	0 ... 15 000
B42	0 ... 1 600	D42	0 ... 160 000	F42	0 ... 1 600	H1D	0 ... 20 000

Configuration

	MAN	7	-	x	x	0	.	xxx
Product	MAN							
MAN Safety pressure gauge	MAN							
Dimension								
Nominal size 150 mm								7
Case								
Bottom conn. , wall mounting								A
Back conn., panel mounting								B
Bottom conn., panel mounting								C
Bottom connection								D
Back connection, wall mounting								E
Back connection								F
Bottom conn., wall mo 1.4404								1
Back conn., panel mo 1.4404								2
Bottom conn., panel mo 1.4404								3
Bottom connction, 1.4404								4
Back connection, wall m 1.4404								5
Back connection, 1.4404								6
Process connection								
G 1/4								2
G 1/2								3
1/4 - 18 NPT								5
1/2 - 14 NPT								6
Damping fluid								
without								0
Measuring range								
bar (EN standard) ⁽¹⁾								Bxx
Psi								Hxx
kPa								Dxx
MPa (EN standard)								Exx
kg/cm2								Fxx

Stockitems

- ⁽¹⁾ P ≥ 1.6 bar Available standard pressures ranges, see tables on page 2. For ranges not listed, please contact Baumer
- ⁽²⁾ For fittings > 1/4"
- ⁽³⁾ For pressure gauges 1.6 bar < P < 1000 bar

Ordering example

