



Main Features

- Low pressure measurement
- For non-corrosive gasses
- Accuracy +/- 2% F.S.
- Static pressure max. 250 mbar
- Option: case material 1.4404 (316L) for aggressive atmosphere

Applications

- Laboratory & Medical
- Oil & Gas / Chemical
- Machinery

Technical Data

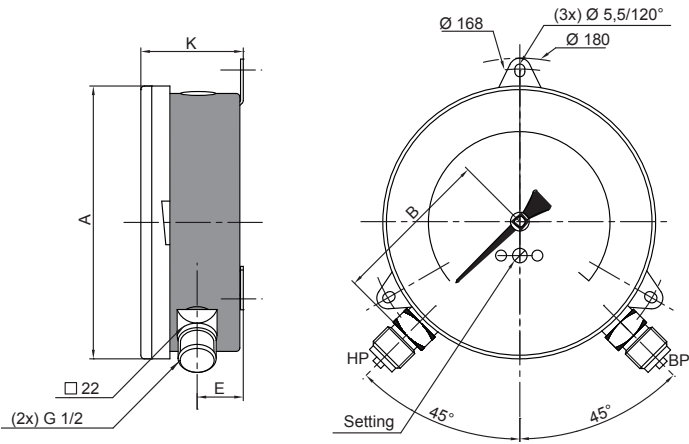
| | |
|-----------------------------------|--|
| Nominal size | 150 mm |
| Measurement range | 0...10 mbar to 0...250 mbar |
| Static pressure | Max. 250 mbar |
| Allowed single-sided overpressure | HP side: max. 250 mbar LP side: max. 130 % F.S. |
| Safety valve | Viton® - FKM Integrated on the HP side to protect the capsule |
| Accuracy | ± 2% F.S. |
| Protection rating | IP 66 (EN 60529) |
| Capsule | Stainless steel 1.4404 (AISI 316L) |
| Case | Stainless steel 1.4301 (AISI 304) |
| Bezel ring | Stainless steel 1.4301 (AISI 304) |
| Movement | Brass |
| Window | Instrument glass |
| Window gasket | Elastomer |

| | |
|-------------------|--|
| Dial | Aluminium, white |
| Pointer | Aluminium, black |
| Temperature | Ambient : -20 ... +60°C Medium: -20 ... +60°C Storage: -40 ... +70°C |
| Manifolds | 3-way manifolds are recommended to ensure to apply the pressure simultaneously on both sides and avoid single-sided overload. |
| Working principle | The HP is applied inside the capsule and the LP outside the capsule (in the case). The deflection of the capsule results from the difference between the pressure inside (HP) and outside (LP). |
| Zero adjustment | +/- 10 % F.S. Adjustment screw accessible on the front side after removing of the bezel ring and window. |

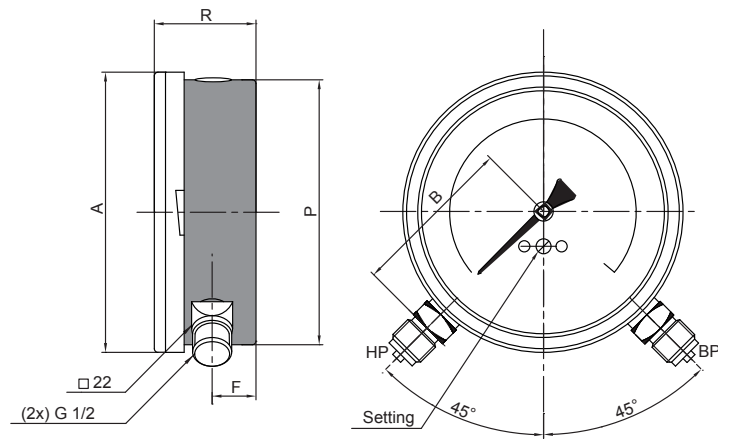
Options

| | |
|-------------------------------|-----------|
| Stainless steel movement | Code 0651 |
| Window laminated safety glass | Code 0751 |
| Window Plexiglas | Code 0752 |
| Oxygen application | Code 0765 |

Dimensions - Types of mounting



Type A



Type D

| mm | A | B | E | F | K | P | R | Weight |
|---------------|-------|----|------|----|------|-----|------|--------|
| NS 150 | 150.2 | 90 | 25.4 | 23 | 56.4 | 142 | 54.5 | 0.9 |

Pressure ranges

| Code | mbar |
|------------|-----------|
| N03 | 0 ... 10 |
| N04 | 0 ... 16 |
| N05 | 0 ... 25 |
| N06 | 0 ... 40 |
| N07 | 0 ... 60 |
| N08 | 0 ... 100 |
| N09 | 0 ... 160 |
| N10 | 0 ... 250 |

| Code | kPa |
|------------|-----------|
| D03 | 0 ... 1 |
| D04 | 0 ... 1.6 |
| D05 | 0 ... 2.5 |
| D06 | 0 ... 4 |
| D07 | 0 ... 6 |
| D08 | 0 ... 10 |
| D09 | 0 ... 16 |
| D10 | 0 ... 25 |

| Code | mmH2O |
|------------|------------|
| R03 | 0 ... 100 |
| R04 | 0 ... 160 |
| R05 | 0 ... 250 |
| R06 | 0 ... 400 |
| R07 | 0 ... 600 |
| R08 | 0 ... 1000 |
| R09 | 0 ... 1600 |
| R10 | 0 ... 2500 |

Ordering details MCD

| | | | | | | | | | |
|---|---------------------------------------|-----|---|--|--|---|---|-----|-----|
| | | 7 | - | | | 0 | . | xxx | / |
| Model | Differential capsule pressure gauge | MCD | | | | | | | |
| Nominal size | 150 mm | 7 | | | | | | | |
| Type of mounting | | | | | | | | | |
| Stainless steel case and bezel ring 1.4301 (AISI 304) | Bottom connection, 3 back lugs fixing | | | | | | | A | |
| | Bottom connection | | | | | | | D | |
| Stainless steel case and bezel ring 1.4404 (AISI 316L) | Bottom connection, 3 back lugs fixing | | | | | | | 1 | |
| | Bottom connection | | | | | | | 4 | |
| Process connection | | | | | | | | | |
| | G 1/2 | | | | | | | 3 | |
| | 1/2 NPT | | | | | | | 6 | |
| Liquid filling | | | | | | | | | |
| | Dry | | | | | | | 0 | |
| Measurement unit | | | | | | | | | |
| | mbar | | | | | | | | Nxx |
| | kPa | | | | | | | | Dxx |
| | mmH2O | | | | | | | | Rxx |
| Options to be added behind the / (see example below) | | | | | | | | | |

(▶ Standard version)

⁽⁴⁾ Available standard pressures ranges, see tables on page 2. For ranges not listed, please contact Baumer.

Ordering example with options

| | | | | | | | | | | | | |
|--|-----|---|---|---|---|---|---|-----|---|------|---|------|
| | MCD | 7 | - | D | 3 | 0 | . | N06 | / | 0752 | - | 0765 |
| Industrial capsule differential pressure gauge | ← | | | | | | | | | | | |
| Nominal size 150 mm | ← | | | | | | | | | | | |
| Bottom connection, case material 1.4301 | ← | | | | | | | | | | | |
| Process connection G1/2 | ← | | | | | | | | | | | |
| No liquid filling | ← | | | | | | | | | | | |
| Scale mbar : 0 ... 40 mbar | ← | | | | | | | | | | | |
| Option : Plexiglas window | ← | | | | | | | | | | | |
| Option : Oxygen application | ← | | | | | | | | | | | |