

## Overview

- For corrosive gasses and liquids
- Class 1.6 according to EN 837-1
- Wetted parts: Monel
- Option: Liquid-filled for applications with pulsations or vibrations



Picture similar



## Technical data

### Housing

Nominal size	63 mm
Case material	Monel 400
Bezel ring material	Stainless steel 1.4404 / AISI 316L
Window material	Instrument glass
Window gasket	Elastomer
Protection rating (EN 60529)	IP65
Dial	White, Aluminium
Pointer	Black, PVA
Movement material	Stainless steel
Safety according to EN 837-1	S1, with window polycarbonate or Laminated safety glass

### Temperature

Ambient temperature	-20°C ... +70°C
Storage temperature	-40°C ... +70°C
Media temperature	-40°C ... +200°C (not filled)

### Wetted parts

Process connection material	Monel 400
-----------------------------	-----------

### Wetted parts

Bourdon tube	Monel 400
--------------	-----------

### Performance

Accuracy according to EN 837-3	Class 1.6
Min. measuring range	0 ... 1 bar
Max. measuring range	0 ... 400 bar
Type of pressure	Gauge Compound Vacuum
Pressure limitation	Steady: 75 % of full scale value Fluctuating: 65 % of full scale value Short time: 100 % of full scale value
Thermal drift (reference: +20 °C)	± 0.4 % FS/10K

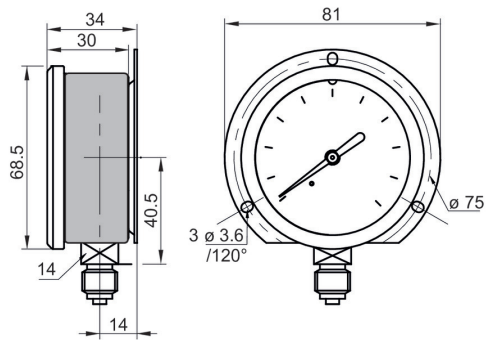
### Weight

Gauge	130 g unfilled 180 g filled
-------	--------------------------------

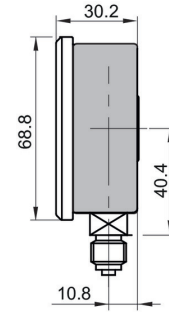
### Approval / Conformities

ATEX	Ex II 2 GDC-IM2c
------	------------------

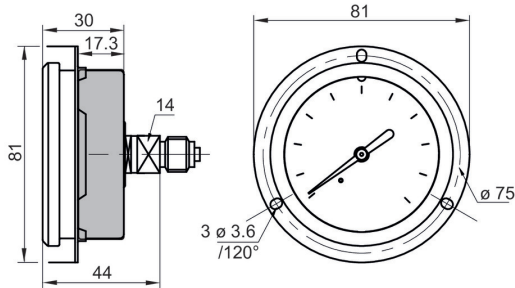
**Dimensional drawings (mm)**



Type A

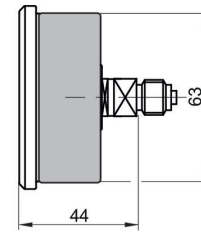


Type D

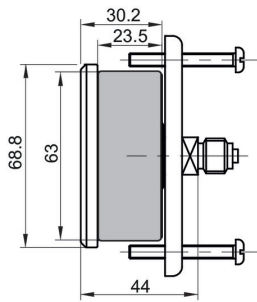


Type B

Panel cut-outs:  $\varnothing = 65.5$  mm



Type F



Type G

Panel cut-outs:  $\varnothing = 65.5$  mm

## Measuring ranges

Code	Bar
B72	-1 ... 0.6
B74	-1 ... 1.5
B76	-1 ... 3
B77	-1 ... 5
B79	-1 ... 9
B81	-1 ... 15
B82	-1 ... 24
B15	0 ... 1
B16	0 ... 1.6
B18	0 ... 2.5
B19	0 ... 4
B20	0 ... 6
B22	0 ... 10
B24	0 ... 16
B26	0 ... 25
B27	0 ... 40
B29	0 ... 60
B31	0 ... 100
B33	0 ... 160
B35	0 ... 250
B38	0 ... 400

Code	kPa
D72	-100 ... 60
D74	-100 ... 150
D76	-100 ... 300
D77	-100 ... 500
D79	-100 ... 900
D81	-100 ... 1 500
D82	-100 ... 2 400
D15	0 ... 100
D16	0 ... 160
D18	0 ... 250
D19	0 ... 400
D20	0 ... 600
D22	0 ... 1 000
D24	0 ... 1 600
D26	0 ... 2 500
D27	0 ... 4 000
D29	0 ... 6 000
D31	0 ... 10 000
D33	0 ... 16 000
D35	0 ... 25 000
D38	0 ... 40 000

Code	kg/cm <sup>2</sup>
F72	-1 ... 0.6
F74	-1 ... 1.5
F76	-1 ... 3
F77	-1 ... 5
F79	-1 ... 9
F81	-1 ... 15
F82	-1 ... 24
F15	0 ... 1
F16	0 ... 1.6
F18	0 ... 2.5
F19	0 ... 4
F20	0 ... 6
F22	0 ... 10
F24	0 ... 16
F26	0 ... 25
F27	0 ... 40
F29	0 ... 60
F31	0 ... 100
F33	0 ... 160
F35	0 ... 250
F38	0 ... 400

Code	psi
H73	-30" Hg ... 15
H75	-30" Hg ... 30
H2C	-30" Hg ... 60
H78	-30" Hg ... 100
H79	-30" Hg ... 150
H81	-30" Hg ... 220
H82	-30" Hg ... 300
H15	0 ... 15
H1C	0 ... 20
H17	0 ... 30
H19	0 ... 60
H21	0 ... 100
H22	0 ... 160
H23	0 ... 200
H25	0 ... 300
H26	0 ... 400
H27	0 ... 600
H30	0 ... 1 000
H31	0 ... 1 500
H34	0 ... 3 000
H38	0 ... 6 000

### Ordering reference

Ordering key - Configuration possibilities see website

	MEM3	-	#	#	#	.	###
<b>Product</b>	MEM3						
<b>Case</b>							
Bottom connection, back fixing for wall mounting				A			
Back connection, front flange, 3 holes for panel mounting				B			
<b>Bottom connection</b>				D			
<b>Back connection</b>				F			
Back connection, fixing clamp for panel mounting				G			
<b>Process connection</b>							
<b>G 1/4</b>						2	
<b>1/4 NPT</b>						5	
<b>G 1/8</b>						1	
<b>M10 x 1</b>						7	
<b>Damping fluid</b>							
<b>without</b>							0
BH1, Glycerin 86 %							1
BH2, Glycerin 99 %							2
BH3, Silicone oil							3
BH4, Silicone oil (for lower temperatures)							4
<b>Measuring range</b>							
<b>bar (EN)</b>							Bxx
<b>kPa (EN)</b>							Dxx
kg/cm <sup>2</sup> (EN)							Fxx
<b>psi (ANSI)</b>							Hxx
bar/psi (EN)							Kxx
psi/bar (ANSI)							Sxx
MPa (EN)							Exx
psi/kPa (ANSI)							Vxx
kPa/psi (EN)							Wxx
mbar (EN)							Nxx

(1) Available standard measuring ranges, see table in section Measuring ranges. For ranges not listed, please contact Bourdon.

### Ordering example

	MEM3	-	B	2	0	.	B22	/	0751
<b>Product</b>	MEM3								
<b>Case</b>									
Back connection, front flange, 3 holes for panel mounting			B						
<b>Process connection</b>									
<b>G 1/4</b>				2					
<b>Damping fluid</b>									
<b>without</b>							0		
<b>Measuring range</b>									
<b>0 ... 10 bar (EN)</b>								B22	
<b>Window</b>									
Laminated safety glass									0751

## Options

ATEX II2GDc T6-IM2c <sup>(1)</sup>	0078	2.1 Certificate	Q001
Adjustable friction pointer	0679	2.2 Certificate	Q002
Laminated safety glass	0751	3.1 Material certificate	Q003
Polycarbonate (Makrolon) window	0753	3.1 Calibration certificate 5 pts (rising)	Q008
Restrictor screw 0,3 mm	0769	3.1 Calibration certificate 5 pts (EN837)	Q009
Accuracy class 1 <sup>(2)</sup>	0841		

(1) Only with laminated safety glass window

(2) For pressure gauge not filled and P > 1.6 bar