



Main Features

- Multi-purpose standard thermometer
- Class 1 and 2 according to EN 13190
- Immersion tube stainless steel
- Immersion length 100 – 400 mm

Applications

- Food & Beverage
- Chemical
- Water & Waste water
- Energy
- Machinery

Technical Data

| | | | |
|-------------------|---|--------------------------|--|
| Nominal size | 40, 63 mm | Window | Instrument glass |
| Temperature range | -30 ... 500°C | Dial | Aluminium, brush finished |
| Accuracy | According to EN 13190 up to 250°C: class 1 above 250°C: class 2 | Pointer | Aluminium, black |
| Protection rating | IP 52 (EN 60529) | Minimum immersion length | ranges ≤ 60°C: L _E ≥ 59 mm ranges > 60°C: L _E ≥ 39 mm |
| Immersion tube | Stainless steel 1.4571 (AISI 316 Ti) | | |
| Case | Stainless steel 1.4301 (AISI 304) | | |
| Bezel ring | Stainless steel 1.4301 (AISI 304) | | |

Options

| | |
|--|-----------|
| Acrylic window (PMMA or Plexiglass) ⁽¹⁾ | Code 0752 |
| Silicon free, label marking | Code 0793 |
| Silicon free, marking on dial | Code 0794 |
| Red mark | Code 9700 |
| Green mark | Code 9701 |

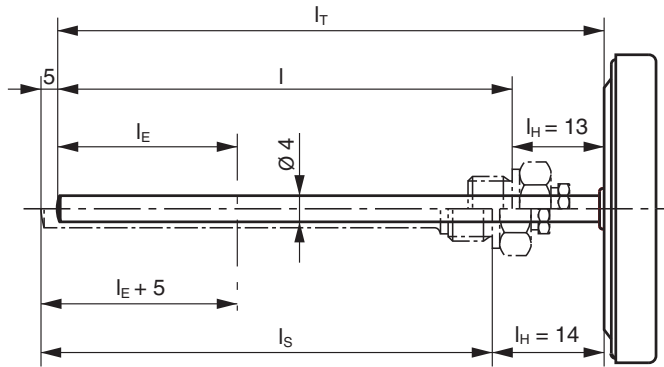
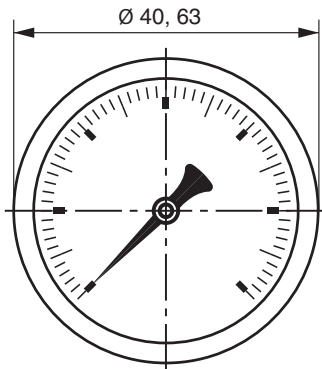
| To be ordered separately | |
|------------------------------------|----------|
| Calibration certificate (3 points) | 90001188 |

⁽¹⁾ The case must not be constantly heated over 75°C.

Temperature ranges

| Code | Range °C |
|------|-------------|
| 61T | -30 ... 30 |
| 11T | 0 ... 60 |
| 20T | 0 ... 120 |
| 13T | 0 ... 160 |
| 14T | 0 ... 250 |
| 15T | 0 ... 400 |
| 30T | 100 ... 500 |

Drawing (dimensions in mm)



| NS | Weight (kg) |
|----------------|-------------|
| 40 | 0.022 |
| 63 | 0.047 |
| Add per 100 mm | |
| Ø 4 mm | 0.005 |

Ordering details TB

| | TB | | | - | 2 | | . | 1 | | . | xxx | / |
|--|----|--|---|---|---|--|---|---|--|---|-----|-----|
| Model | TB | | | | | | | | | | | |
| Bimetal Thermometer | TB | | | | | | | | | | | |
| Nominal size | | | | | | | | | | | | |
| 40 mm | | | 0 | 4 | 0 | | | | | | | |
| 63 mm | | | 0 | 6 | 3 | | | | | | | |
| Case | | | | | | | | | | | | |
| Stainless steel 1.4301 (AISI 304) | | | | | 2 | | | | | | | |
| Connection | | | | | | | | | | | | |
| Without connection (direct mounting) | | | | | | | | 1 | | | | |
| Immersion tube outlet | | | | | | | | | | | | |
| Center back | | | | | | | | | | 2 | | |
| Indication | | | | | | | | | | | | |
| EN 13190 (Standard) | | | | | | | | | | | 1 | |
| Immersion tube / diameter / material | | | | | | | | | | | | |
| Ø 4 mm, stainless steel 1.4571 (AISI 316 Ti) | | | | | | | | | | | | 2 |
| Immersion tube / installed length L | | | | | | | | | | | | |
| 60 mm | | | | | | | | | | | | 1 |
| 100 mm | | | | | | | | | | | | 2 |
| 160 mm | | | | | | | | | | | | 4 |
| 250 mm | | | | | | | | | | | | 6 |
| 400 mm | | | | | | | | | | | | 7 |
| Unit of measurement / Temperature ranges ⁽¹⁾ | | | | | | | | | | | | |
| °C | | | | | | | | | | | | xxT |
| Options to be added behind the / (see example below) | | | | | | | | | | | | / |

⁽¹⁾ Available standard temperature ranges, see table on page 1. For ranges not listed, please contact Baumer.

Ordering example with options

| | TB | 040 | - | 2 | 1 | 2 | . | 1 | 2 | 2 | . | 20T | / | 9700 |
|---|----|-----|---|---|---|---|---|---|---|---|---|-----|-----|------|
| Bimetal thermometer | ← | | | | | | | | | | | | | |
| Nominal size 40 mm | ← | 040 | | | | | | | | | | | | |
| Case material stainless steel 1.4301 (AISI 304) | ← | | - | 2 | | | | | | | | | | |
| Without connection (direct mounting) | ← | | | | 1 | | | | | | | | | |
| Immersion tube outlet: Center back | ← | | | | | 2 | | | | | | | | |
| Indication EN 13190 (standard) | ← | | | | | | . | 1 | | | | | | |
| Immersion tube Ø 4 mm, stainless steel 1.4571 (AISI 316 Ti) | ← | | | | | | | | | 2 | | | | |
| Immersion length (L) 100 mm | ← | | | | | | | | | | | 2 | | |
| Temperature range: 0 ... 120°C | ← | | | | | | | | | | | | 20T | |
| Option: Red mark | ← | | | | | | | | | | | | | 9700 |