



Main Features

- Multi-purpose standard thermometer
- Class 1 and 2 according to EN 13190
- Immersion tube stainless steel
- Immersion length 100 – 400 mm

Applications

- Food & Beverage
- Chemical
- Water & Waste water
- Energy
- Machinery

Technical Data

Nominal size	40, 63 mm	Window	Instrument glass
Temperature range	-30 ... 500°C	Dial	Aluminium, brush finished
Accuracy	According to EN 13190 up to 250°C: class 1 above 250°C: class 2	Pointer	Aluminium, black
Protection rating	IP 52 (EN 60529)	Minimum immersion length	ranges ≤ 60°C: L _E ≥ 59 mm ranges > 60°C: L _E ≥ 39 mm
Immersion tube	Stainless steel 1.4571 (AISI 316 Ti)		
Case	Stainless steel 1.4301 (AISI 304)		
Bezel ring	Stainless steel 1.4301 (AISI 304)		

Options

Acrylic window (PMMA or Plexiglass) ⁽¹⁾	Code 0752
Silicon free, label marking	Code 0793
Silicon free, marking on dial	Code 0794
Red mark	Code 9700
Green mark	Code 9701

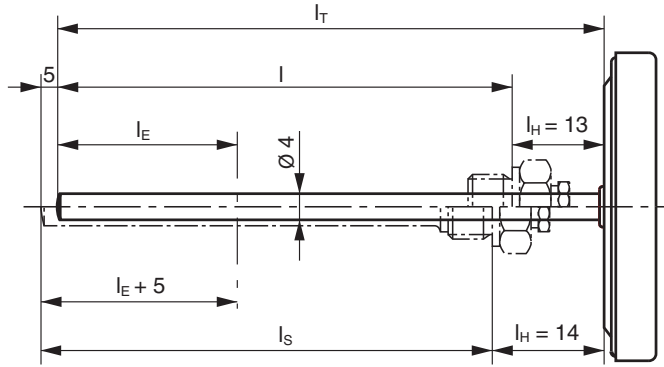
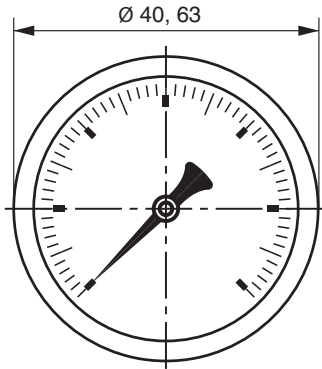
To be ordered separately	
Calibration certificate (3 points)	90001188

⁽¹⁾ The case must not be constantly heated over 75°C.

Temperature ranges

Code	Range °C
61T	-30 ... 30
11T	0 ... 60
20T	0 ... 120
13T	0 ... 160
14T	0 ... 250
15T	0 ... 400
30T	100 ... 500

Drawing (dimensions in mm)



NS	Weight (kg)
40	0.022
63	0.047
Add per 100 mm	
Ø 4 mm	0.005

Ordering details TB

	TB			-	2		.	1		.	xxx	/
Model	TB											
Bimetal Thermometer	TB											
Nominal size												
40 mm			0	4	0							
63 mm			0	6	3							
Case												
Stainless steel 1.4301 (AISI 304)					2							
Connection												
Without connection (direct mounting)								1				
Immersion tube outlet												
Center back									2			
Indication												
EN 13190 (Standard)										1		
Immersion tube / diameter / material												
Ø 4 mm, stainless steel 1.4571 (AISI 316 Ti)											2	
Immersion tube / installed length L												
60 mm												1
100 mm												2
160 mm												4
250 mm												6
400 mm												7
Unit of measurement / Temperature ranges ⁽¹⁾												
°C												xxT
Options to be added behind the / (see example below)												/

⁽¹⁾ Available standard temperature ranges, see table on page 1. For ranges not listed, please contact Baumer.

Ordering example with options

	TB	040	-	2	1	2	.	1	2	2	.	20T	/	9700
Bimetal thermometer	←													
Nominal size 40 mm	←	040												
Case material stainless steel 1.4301 (AISI 304)	←		-	2										
Without connection (direct mounting)	←				1									
Immersion tube outlet: Center back	←					2								
Indication EN 13190 (standard)	←						.	1						
Immersion tube Ø 4 mm, stainless steel 1.4571 (AISI 316 Ti)	←									2				
Immersion length (L) 100 mm	←											2		
Temperature range: 0 ... 120°C	←												20T	
Option: Red mark	←													9700