

Overview

- For clamp-on mounting on isolated pipes
- Pipe diameter 3/4" ... 2"
- Class 1 according to EN 13190



Picture similar

Technical data

Housing

Protection rating (EN 60529)	IP50
Dial	White, aluminium
Pointer	Black, aluminium
Window material	Instrument glass
Nominal size	80 mm
Case material	Stainless steel 1.4301 / AISI 304
Bezel ring material	Stainless steel 1.4301 / AISI 304
Base	Fixing tube: brass Socket: zinc casting

Housing

Hose clamp	Steel, zinc-plated
------------	--------------------

Temperature

Temperature range	-20°C ... +120°C
-------------------	------------------

Wetted parts

Immersion tube material	Stainless steel 1.4571 / AISI 316Ti
-------------------------	-------------------------------------

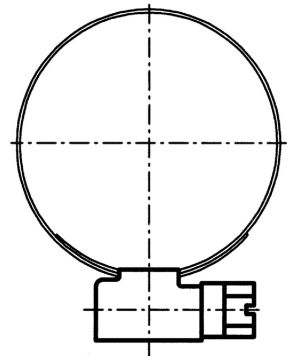
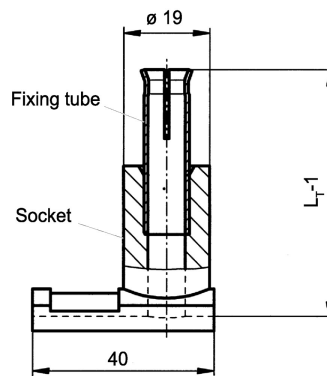
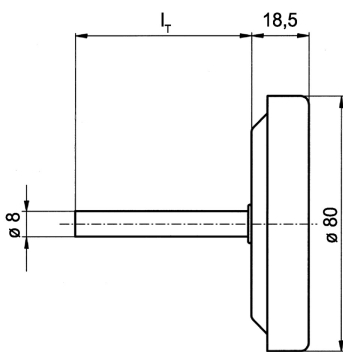
Performance

Accuracy according to EN 13190	Class 1
--------------------------------	---------

Weight

Thermometer	150 g
-------------	-------

Dimensional drawings (mm)



Base (included in delivery)

Ordering code:

- T 09302.0000 for s = 30 ... 50 mm
- T 09302.0001 for s = 50 ... 70 mm
- T 09302.0002 for s = 70 ... 90 mm
- T 09302.0003 for s = 90 ... 110 mm

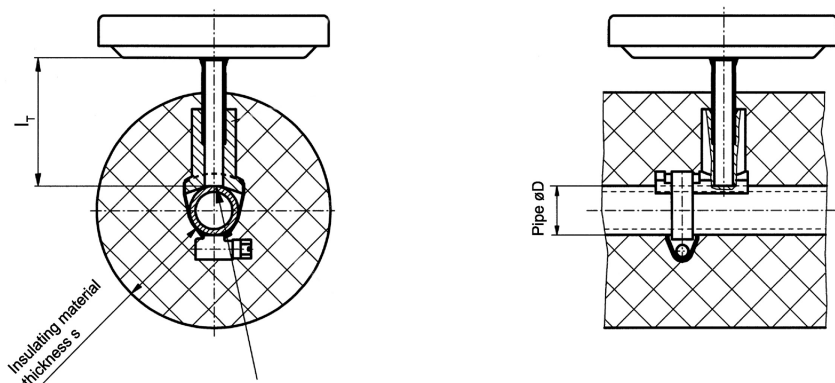
s = insulating material thickness

Hose clamp A 8476 (DIN 3017, not included in delivery)

Ordering code:

- A 08476.0000 for Ø D = 27 ... 42 mm (3/4" ... 1 1/4")
- A 08476.0001 for Ø D = 42 ... 60 mm (1 1/4" ... 2")

Dimensional drawings (mm)



The pipe roughness should be free of paint drops and welding beads so that there is a smooth surface.

(Concerned the complete area of support from the base)

Ordering reference

Ordering key - Configuration possibilities see website

	TBHA080	-	2	1	2	.	1	6	#	.	###
Product	TBHA080										
Case and ring	1.4301 (AISI 304)			2							
Connection	on pipes			1							
Immersion tube outlet	center back				2						
Indicator	EN 13190 (standard)								1		
Immersion tube diameter	8 mm Stainless steel 1.4571 (AISI 316 Ti)										6
Immersion tube length LT	55 mm										1
	75 mm										2
	95 mm										3
	115 mm										4
Temperature range⁽¹⁾	-20...40°C										52T
	0...60°C										11T
	0...80°C										27T
	0...100°C										12T
	0...120°C										20T
	0...160°C										13T

(1) Available standard temperature ranges, see table in section temperature ranges. For ranges not listed, please contact Bourdon

Ordering example

	TBHA080	-	2	1	2	.	1	6	1	.	52T
Product	TBHA080										
Case and ring	1.4301 (AISI 304)			2							
Connection	on pipes			1							
Immersion tube outlet	center back				2						
Indicator	EN 13190 (standard)								1		
Immersion tube diameter	8 mm Stainless steel 1.4571 (AISI 316 Ti)										6
Immersion tube length LT	55 mm										1
Temperature range	-20...40°C										52T

TBHA 080

Bimetal thermometer for isolated pipes

TBHA080-212.16#.###

Options

Dampening grease	0581	customer logo*	9710
Instrument free of silicone	0793	technical inscription	9711
Instrument free of silicone, red mark	0794	2.1 Certificate	Q001
green mark	9700	2.2 Certificate	Q002
	9701	3.1 calib. certif. 3 points	Q006