

Overview

- For clamp-on mounting on isolated pipes
- Pipe diameter 3/4" ... 2"
- Class 1 according to EN 13190
- Immersion tube brass

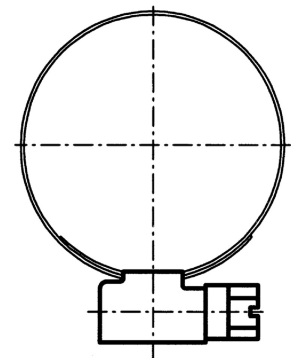
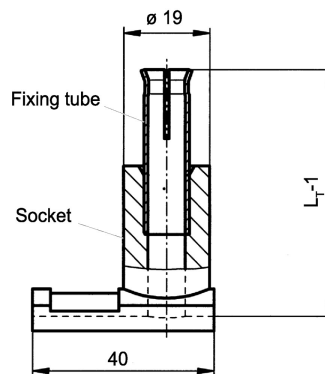
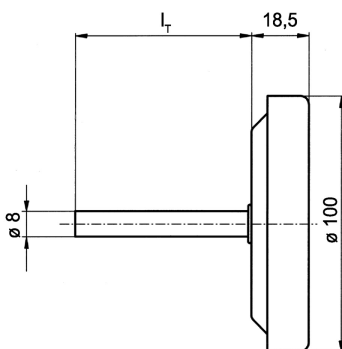


Picture similar

Technical data

Housing		Housing	
Protection rating (EN 60529)	IP50	Hose clamp	Steel, zinc-plated
Dial	White, aluminium	Temperature	
Pointer	Black, aluminium	Temperature range	-20°C ... +120°C
Window material	Instrument glass	Wetted parts	
Nominal size	100 mm	Immersion tube material	Stainless steel 1.4571 / AISI 316Ti
Case material	Stainless steel 1.4301 / AISI 304	Performance	
Bezel ring material	Stainless steel 1.4301 / AISI 304	Accuracy according to EN 13190	Class 1
Base	Fixing tube: brass Socket: zinc casting	Weight	
		Thermometer	180 g

Dimensional drawings (mm)



Base (included in delivery)

Ordering code:

- T 09302.0000 for s = 30 ... 50 mm
- T 09302.0001 for s = 50 ... 70 mm
- T 09302.0002 for s = 70 ... 90 mm
- T 09302.0003 for s = 90 ... 110 mm

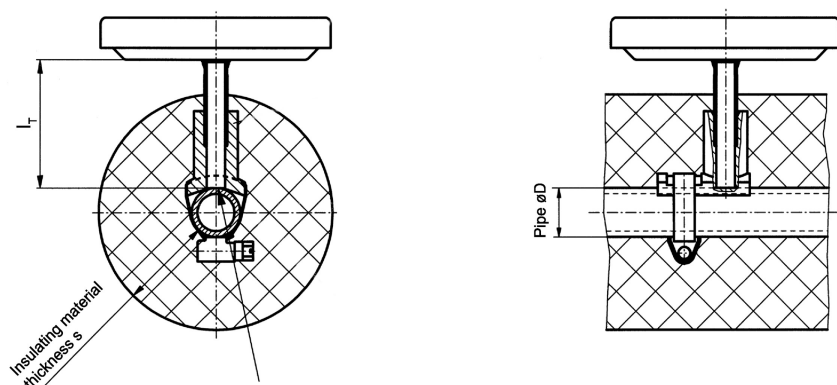
s = insulating material thickness

Hose clamp A 8476 (DIN 3017, not included in delivery)

Ordering code:

- A 08476.0000 for Ø D = 27 ... 42 mm (3/4" ... 1 1/4")
- A 08476.0001 for Ø D = 42 ... 60 mm (1 1/4" ... 2")

Dimensional drawings (mm)



The pipe roughness should be free of paint drops and welding beads so that there is a smooth surface.

(Concerned the complete area of support from the base)

TBHA 100

Bimetal thermometer for isolated pipes

TBHA100-212.16#.###

Ordering reference

Ordering key - Configuration possibilities see website

TBHA100 - 2 1 2 . 1 6 # . ###

Product

TBHA100

TBHA100

Case and ring

1.4301 (AISI 304)

2

Connection

on pipes

1

Immersion tube outlet

center back

2

Indicator

EN 13190 (standard)

1

Immersion tube diameter

8 mm Stainless steel 1.4571 (AISI 316 Ti)

6

Immersion tube length LT

55 mm

1

75 mm

2

95 mm

3

115 mm

4

Temperature range⁽¹⁾

-20...40°C

52T

0...60°C

11T

0...80°C

27T

0...100°C

12T

0...120°C

20T

0...160°C

13T

(1) Available standard temperature ranges, see table in section temperature ranges. For ranges not listed, please contact Bourdon

Ordering example

TBHA100 - 2 1 2 . 1 6 1 . 52T

Product

TBHA100

TBHA100

Case and ring

1.4301 (AISI 304)

2

Connection

on pipes

1

Immersion tube outlet

center back

2

Indicator

EN 13190 (standard)

1

Immersion tube diameter

8 mm Stainless steel 1.4571 (AISI 316 Ti)

6

Immersion tube length LT

55 mm

1

Temperature range

-20...40°C

52T

TBHA 100

Bimetal thermometer for isolated pipes

TBHA100-212.16#.###

Options

Dampening grease	0581	customer logo*	9710
Instrument free of silicone	0793	technical inscription	9711
Instrument free of silicone, red mark	0794	2.1 Certificate	Q001
green mark	9700	2.2 Certificate	Q002
	9701	3.1 calib. certif. 3 points	Q006