



### Main Features

- For clamp-on mounting on isolated pipes
- Pipe diameter ¾" to 2"
- Class 1 according to EN 13190
- Immersion tube brass

### Applications

- Water & Waste water
- Energy
- Machinery
- HVAC

### Technical Data

Nominal size	80, 100 mm	Case	Stainless steel 1.4301 (AISI 304)
Temperature range	-20 ... 120°C	Bezel ring	Stainless steel 1.4301 (AISI 304)
Accuracy	Class 1 (according to EN 13190)	Window	Instrument glass
Protection rating	IP 50 (EN 60529)	Dial	Aluminium, white
Immersion tube	Stainless steel 1.4571 (AISI 316 Ti)	Pointer	Aluminium, black
Base	Fixing tube: brass Socket: zinc casting		
Hose clamp	Steel, zinc-plated		

### Options

Dampening grease	Code 0581
Silicon free, label marking	Code 0793
Silicon free, marking on dial	Code 0794
Red mark	Code 9700
Green mark	Code 9701
Customer logo on dial	Code 9710
Specific technical data on dial	Code 9711

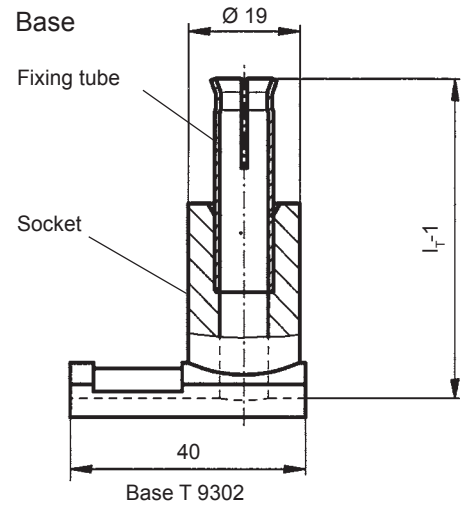
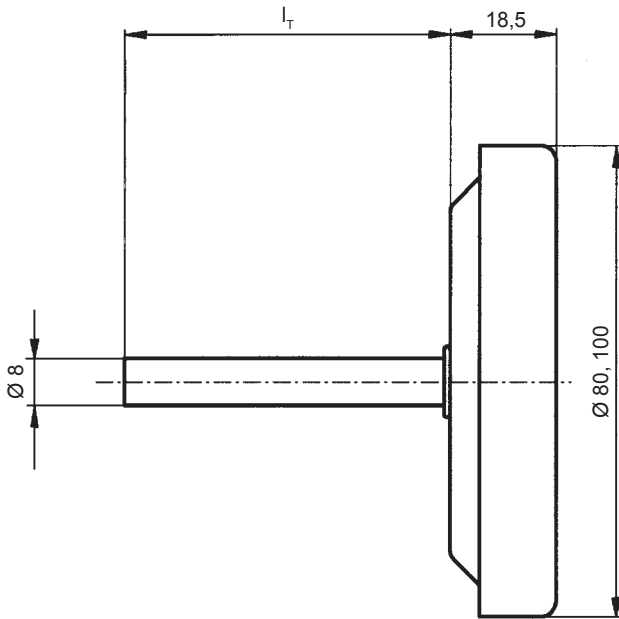
### To be ordered separately

Calibration certificate (3 points)	90001188
------------------------------------	----------

### Temperature ranges

Code	Range °C
52T	-20 ... 40
11T	0 ... 60
27T	0 ... 80
12T	0 ... 100
20T	0 ... 120

## Installation instructions



## Selection Chart for Installation accessories

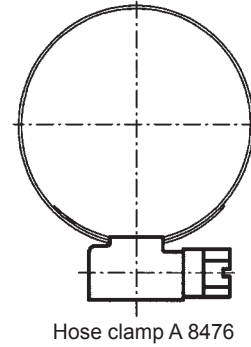
Base <sup>(1)</sup>	
s	Ordering code
30-50 mm	T 09302.0000
50-70 mm	T 09302.0001
70-90 mm	T 09302.0002
90-110 mm	T 09302.0003

Hose clamp (DIN 3017) <sup>(2)</sup>	
Ø D	Ordering code
27-42 mm (¾-1¼ inches)	A 08476.0000
42-60 mm (1¼-2 inches)	A 08476.0001

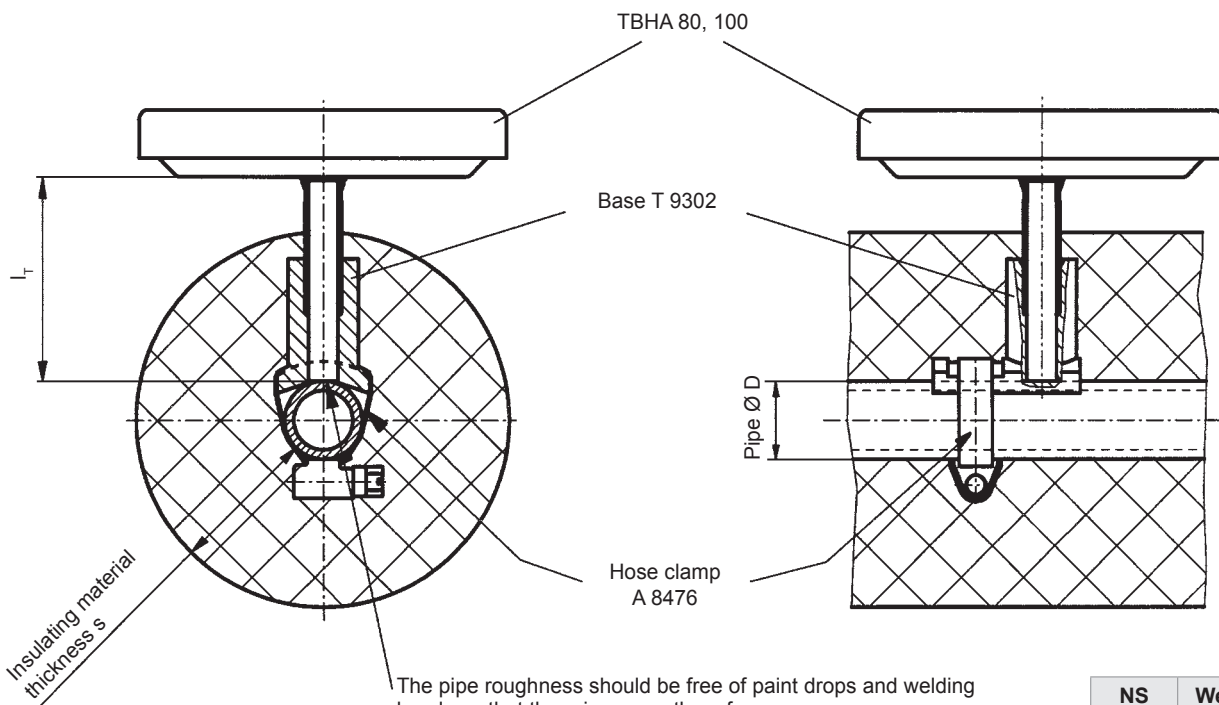
s = insulating material thickness

<sup>(1)</sup> included in delivery

<sup>(2)</sup> not included in delivery



## Mounting instructions



The pipe roughness should be free of paint drops and welding beads so that there is a smooth surface.  
(Concerned the complete area of support from the base)

NS	Weight (kg)
80	0.150
100	0.180

## Ordering details TBHA

	TBHA			-	2			.	1			.	xxx	/
<b>Model</b>	Bimetal Thermometer for pipe mounting													
	TBHA													
<b>Nominal size</b>														
80 mm						0	8	0						
100 mm						1	0	0						
<b>Case</b>	Stainless steel 1.4301 (AISI 304)													
														2
<b>Connection</b>	With base for mounting on pipes (hose clamp not included)													
														1
<b>Immersion tube outlet</b>	Center back													
														2
<b>Indication</b>	EN 13190 (Standard)													
														1
<b>Immersion tube / diameter / material</b>	Ø 8 mm, stainless steel 1.4571 (AISI 316 Ti)													
														6
<b>Immersion tube / installed length</b>														
$l_T = 55$ mm (s = 30-50 mm)														1
$l_T = 75$ mm (s = 50-70 mm)														2
$l_T = 95$ mm (s = 70-90 mm)														3
$l_T = 115$ mm (s = 90-110 mm)														4
<b>Unit of measurement / Temperature ranges</b> <sup>(1)</sup>														xxT
°C														
<b>Options to be added behind the / (see example below)</b>														/

<sup>(1)</sup> Available standard temperature ranges, see table on page 1. For ranges not listed, please contact Baumer.

## Ordering example with options

	TBHA	100	-	2	1	2	.	1	6	2	.	12T	/	9710	-	9700	-	0793
Bimetal thermometer for pipe mounting	←																	
Nominal size 100 mm	←																	
Case material stainless steel 1.4301 (AISI 304)	←																	
With base for mounting on pipes	←																	
Immersion tube outlet: Center back	←																	
Indication EN 13190 (standard)	←																	
Immersion tube Ø 8 mm, stainless steel 1.4571 (AISI 316 Ti)	←																	
Installed length: s = 50-70 mm, $l_T = 75$ mm	←																	
Temperature range: 0 ... 100°C	←																	
Option: Customer logo on dial	←																	
Option: Red mark	←																	
Option: Silicon free, label marking	←																	