

### Overview

- Conical immersion tube
- Class 1 according to EN 13190
- Immersion tube brass
- Installed length 62 mm



Picture similar

### Technical data

#### Housing

Protection rating (EN 60529)	IP50
Dial	White, aluminium
Pointer	Black, aluminium
Window material	Instrument glass
Nominal size	160 mm
Case material	Stainless steel 1.4301 / AISI 304
Bezel ring material	Stainless steel 1.4301 / AISI 304

#### Temperature

Temperature range	-20°C ... +250°C
-------------------	------------------

#### Wetted parts

Immersion tube material	Brass
Minimum immersion length	LE ≥ 36 mm

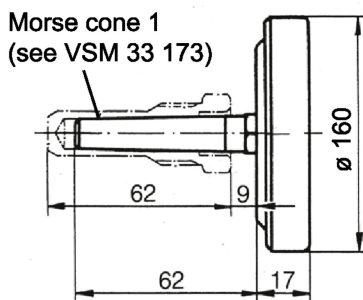
#### Performance

Accuracy according to EN 13190	Class 1
--------------------------------	---------

#### Weight

Thermometer	430 g center back
-------------	-------------------

### Dimensional drawings (mm)



Center back

Temperature ranges

<b>Code</b>	<b>Range</b> <b>°C</b>
<b>52T</b>	-20 ... 40
<b>11T</b>	0 ... 60
<b>20T</b>	0 ... 120
<b>13T</b>	0 ... 160
<b>14T</b>	0 ... 250

**Ordering reference**

Ordering key - Configuration possibilities see website

	TBX160	-	2	1	2	.	1	1	.	1	###
<b>Product</b>	TBX160										
<b>Case and ring</b>	1.4301 (AISI 304)		2								
<b>Process connection</b>	without connection			1							
<b>Immersion tube outlet</b>	center back				2						
<b>Indicator</b>	EN 13190 (standard)							1			
<b>Tube diameter</b>	Cu-Leg.morse taper1, conic									1	
<b>Tube installed length</b>	60 mm										1
<b>Temperature range<sup>(1)</sup></b>	-20...40°C										52T
	0...60°C										11T
	0...120°C										20T
	0...160°C										13T
	0...250°C										14T

(1) Available standard temperature ranges, see table in section temperature ranges. For ranges not listed, please contact Bourdon

**Ordering example**

	TBX160	-	2	1	2	.	1	1	.	1	52T
<b>Product</b>	TBX160										
<b>Case and ring</b>	1.4301 (AISI 304)		2								
<b>Process connection</b>	without connection			1							
<b>Immersion tube outlet</b>	center back				2						
<b>Indicator</b>	EN 13190 (standard)							1			
<b>Tube diameter</b>	Cu-Leg.morse taper1, conic									1	
<b>Tube installed length</b>	60 mm										1
<b>Temperature range</b>	-20...40°C										52T

## TBX 160

Bimetal thermometer with conical immersion tube

TBX160-21#.111.###

### Options

Dampening grease	0581	Customer logo creation	9710
Instrument free of silicone	0793	Technical inscription	9711
Instrument free of silicone, red mark	0794	2.1 Certificate	Q001
green mark	9700	2.2 Certificate	Q002
	9701	3.1 calib. certif. 3 points	Q006