



### Product highlights

- For corrosive gasses and liquids
- Class 1.6 according to EN 837-1
- Wetted parts: Stainless steel
- Case with removable bezel ring
- Lloyds Register Approval
- Option: Liquid-filled for applications with pulsations or vibrations
- Option: Case material 1.4404 (316L) for aggressive atmosphere



### Technical data

#### Housing

|                              |  |
|------------------------------|--|
| Nominal size                 | 63 mm  |
| Case material                | Stainless steel 1.4404 / AISI 316L   |
| Type of housing              | <ul style="list-style-type: none"> <li>■ Removable bezel ring</li> <li>■ Crimped bezel ring (option 0133 mandatory)</li> </ul> |
| Bezel ring material          | Stainless steel 1.4404 / AISI 316L   |
| Window material              | Instrument glass   |
| Window gasket                | Elastomer  |
| Protection rating (EN 60529) | IP65   |
| Dial                         | White, aluminium   |
| Pointer                      | Black, PVA   |
| Movement material            | Stainless steel  |
| Safety according to EN 837-1 | S1, with window polycarbonate or laminated safety glass  |

#### Temperature

|                     |                               |
|---------------------|-------------------------------|
| Ambient temperature | -20°C ... +70°C               |
| Storage temperature | -40°C ... +70°C               |
| Media temperature   | -40°C ... +200°C (not filled) |

#### Wetted parts

|                             |                                    |
|-----------------------------|------------------------------------|
| Process connection material | Stainless steel 1.4404 / AISI 316L |
| Bourdon tube                | Stainless steel 1.4404 / AISI 316L |

#### Performance

|                                  |  |
|----------------------------------|--|
| Accuracy according to EN 837-1   | Class 1.6  |
| Min. measuring range             | 0 ... 1 bar  |
| Max. measuring range             | 0 ... 1000 bar   |
| Type of pressure                 | <ul style="list-style-type: none"> <li>■ Gauge</li> <li>■ Compound</li> <li>■ Vacuum</li> </ul>  |
| Pressure limitation              | <ul style="list-style-type: none"> <li>■ Steady: 75 % of full scale value</li> <li>■ Fluctuating: 65 % of full scale value</li> <li>■ Short time: 100 % of full scale value</li> </ul> |
| Temperature coefficient at +20°C | ± 0.4 % FS/10K   |

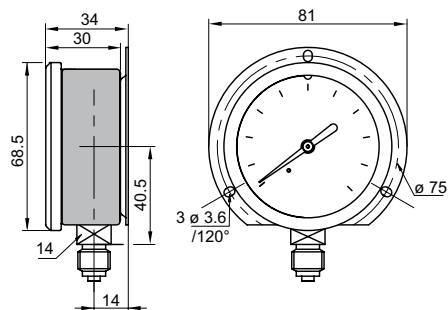
#### Weight

|       |  |
|-------|--|
| Gauge | <ul style="list-style-type: none"> <li>■ 130 g unfilled</li> <li>■ 180 g filled</li> </ul> |
|-------|--|

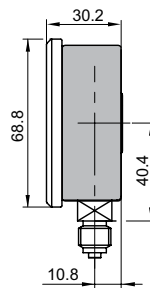
#### Approval / Conformities

|      |                  |
|------|------------------|
| ATEX | Ex II 2 GDC-IM2c |
|------|------------------|

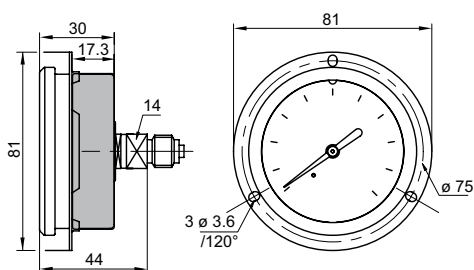
Technical drawings



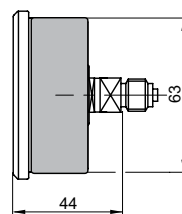
Type A



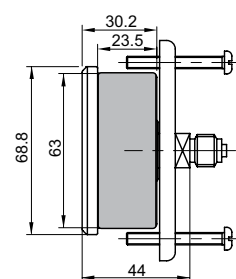
Type D



Type B  
Panel cut-outs:  $\varnothing = 65.5$  mm



Type F



Type G  
Panel cut-outs:  $\varnothing = 65.5$  mm

## Ordering reference

### Order key

|  | MEX | 3 | - | x | x | x | . | xxx        |
|--|-----|---|---|---|---|---|---|------------|
| <b>Product</b>   | MEX |   |   |   |   |   |   |            |
| MEX Industrial pressure gauge  | MEX |   |   |   |   |   |   |            |
| <b>Dimension</b>   |     |   |   |   |   |   |   |            |
| Nominal size 63 mm   |     | 3 |   |   |   |   |   |            |
| <b>Case</b>  |     |   |   |   |   |   |   |            |
| Bottom connection, 3 Back lugs fixing for wall mounting, Case 1.4404 (316L)          |     |   |   |   |   |   |   | 1          |
| Back connection, frontflange, 3 holes for panel mounting, Case 1.4404 (316L)         |     |   |   |   |   |   |   | 2          |
| Bottom connection, Case 1.4404 (316L)  |     |   |   |   |   |   |   | 4          |
| Back connection, Case 1.4404 (316L)  |     |   |   |   |   |   |   | 6          |
| Back connection, frontflange and fixing clamp for panel mounting, Case 1.4404 (316L) |     |   |   |   |   |   |   | 7          |
| <b>Process connection</b>  |     |   |   |   |   |   |   |            |
| G 1/4  |     |   |   |   |   |   |   | 2          |
| 1/4 - 18 NPT   |     |   |   |   |   |   |   | 5          |
| G 1/8  |     |   |   |   |   |   |   | 1          |
| M10x1  |     |   |   |   |   |   |   | 7          |
| <b>Damping fluid</b>   |     |   |   |   |   |   |   |            |
| Without damping fluid  |     |   |   |   |   |   |   | 0          |
| BH1, Glyzerin 86 %   |     |   |   |   |   |   |   | 1          |
| BH2, Glyzerin 99 %   |     |   |   |   |   |   |   | 2          |
| BH3, Silicone oil  |     |   |   |   |   |   |   | 3          |
| BH4, Low temperature silicone oil  |     |   |   |   |   |   |   | 4          |
| BH5, Fluorinated oil   |     |   |   |   |   |   |   | 5          |
| <b>Measuring range<sup>(1)</sup></b>   |     |   |   |   |   |   |   |            |
| bar (EN)   |     |   |   |   |   |   |   | <b>Bxx</b> |
| kPa (EN)   |     |   |   |   |   |   |   | <b>Dxx</b> |
| MPa (EN)   |     |   |   |   |   |   |   | <b>Exx</b> |
| kg/cm <sup>2</sup> (EN)  |     |   |   |   |   |   |   | <b>Fxx</b> |
| psi (ANSI)   |     |   |   |   |   |   |   | <b>Hxx</b> |
| bar/psi (EN)   |     |   |   |   |   |   |   | <b>Kxx</b> |
| psi/bar (ANSI)   |     |   |   |   |   |   |   | <b>Sxx</b> |
| psi/kPa (ANSI)   |     |   |   |   |   |   |   | <b>Vxx</b> |
| kPa/psi (EN)   |     |   |   |   |   |   |   | <b>Wxx</b> |
| mbar (EN)  |     |   |   |   |   |   |   | <b>Nxx</b> |

### Preferred Types

<sup>(1)</sup> Available standard pressures ranges, see table in section pressure ranges. For ranges not listed, please contact Bourdon

**Ordering reference**
**Pressure ranges**

| Code | Bar                       | Code | kPa                        | Code | kg/cm <sup>2</sup>        | Code | psi <sup>1)</sup> |
|------|---------------------------|------|----------------------------|------|---------------------------|------|-------------------|
| B59  | -1 ... 0                  | D59  | -100 ... 0                 | F59  | -1 ... 0                  | H59  | -30" Hg ... 0     |
| B72  | -1 ... 0.6                | D72  | -100 ... 60                | F72  | -1 ... 0.6                | H73  | -30" Hg ... 15    |
| B74  | -1 ... 1.5                | D74  | -100 ... 150               | F74  | -1 ... 1.5                | H75  | -30" Hg ... 30    |
| B76  | -1 ... 3                  | D76  | -100 ... 300               | F76  | -1 ... 3                  | H2C  | -30" Hg ... 60    |
| B77  | -1 ... 5                  | D77  | -100 ... 500               | F77  | -1 ... 5                  | H78  | -30" Hg ... 100   |
| B79  | -1 ... 9                  | D79  | -100 ... 900               | F79  | -1 ... 9                  | H79  | -30" Hg ... 150   |
| B81  | -1 ... 15                 | D81  | -100 ... 1 500             | F81  | -1 ... 15                 | H81  | -30" Hg ... 220   |
| B82  | -1 ... 24                 | D82  | -100 ... 2 400             | F82  | -1 ... 24                 | H82  | -30" Hg ... 300   |
| B15  | 0 ... 1                   | D15  | 0 ... 100                  | F15  | 0 ... 1                   | H15  | 0 ... 15          |
| B16  | 0 ... 1.6                 | D16  | 0 ... 160                  | F16  | 0 ... 1.6                 | H1C  | 0 ... 20          |
| B18  | 0 ... 2.5                 | D18  | 0 ... 250                  | F18  | 0 ... 2.5                 | H17  | 0 ... 30          |
| B19  | 0 ... 4                   | D19  | 0 ... 400                  | F19  | 0 ... 4                   | H19  | 0 ... 60          |
| B20  | 0 ... 6                   | D20  | 0 ... 600                  | F20  | 0 ... 6                   | H21  | 0 ... 100         |
| B22  | 0 ... 10                  | D22  | 0 ... 1 000                | F22  | 0 ... 10                  | H22  | 0 ... 160         |
| B24  | 0 ... 16                  | D24  | 0 ... 1 600                | F24  | 0 ... 16                  | H23  | 0 ... 200         |
| B26  | 0 ... 25                  | D26  | 0 ... 2 500                | F26  | 0 ... 25                  | H25  | 0 ... 300         |
| B27  | 0 ... 40                  | D27  | 0 ... 4 000                | F27  | 0 ... 40                  | H26  | 0 ... 400         |
| B29  | 0 ... 60                  | D29  | 0 ... 6 000                | F29  | 0 ... 60                  | H27  | 0 ... 600         |
| B31  | 0 ... 100                 | D31  | 0 ... 10 000               | F31  | 0 ... 100                 | H30  | 0 ... 1 000       |
| B33  | 0 ... 160                 | D33  | 0 ... 16 000               | F33  | 0 ... 160                 | H31  | 0 ... 1 500       |
| B35  | 0 ... 250                 | D35  | 0 ... 25 000               | F35  | 0 ... 250                 | H34  | 0 ... 3 000       |
| B38  | 0 ... 400                 | D38  | 0 ... 40 000               | F38  | 0 ... 400                 | H38  | 0 ... 6 000       |
| B39  | 0 ... 600 <sup>1)</sup>   | D39  | 0 ... 60 000 <sup>1)</sup> | F39  | 0 ... 600 <sup>1)</sup>   |      |                   |
| B41  | 0 ... 1 000 <sup>1)</sup> |      |                            | F41  | 0 ... 1 000 <sup>1)</sup> |      |                   |

**Options**

|                                    |      |   |      |
|------------------------------------|------|---|------|
| ATEX II2GDc T6-IM2c <sup>(1)</sup> | 0078 | Accuracy class 1,0                          | 0841 |
| Adjustable friction pointer        | 0679 | 2.1 certificate                             | Q001 |
| Pointer aluminium, black           | 0683 | 2.2 certificate                             | Q002 |
| Laminated safety glass             | 0751 | 3.1 material certificate                    | Q003 |
| Polycarbonate (Makrolon)           | 0753 | 3.1 calibration certificate 5 pts. (rising) | Q008 |
| Restrictor screw 0,3 mm            | 0769 | 3.1 calibration certificate 5 pts. (EN837)  | Q009 |
| Solid drawn bourdon tube           | 0816 |   |      |

<sup>(1)</sup> Only with window laminated safety glass

## Ordering reference

### Ordering example

MEX 3 - 4 2 0 . B22 / Q001

#### Product

MEX Industrial pressure gauge

#### Dimension

Nominal size 63 mm

#### Case

Bottom connection, Case 1.4404 (316L)

#### Process connection

G 1/4

#### Damping fluid

Without damping fluid

#### Measuring range

0...10 bar (EN)

#### Certificate

2.1 certificate